



## General Data

Type Reference:	PTF..., PTP...
Description:	Contact Block, positive opening contact
Approvals:	CE, TÜV_Süd, positive opening contact
Protection class:	II (protective insulation)
Connection type:	Faston terminals 2.8x0.8 mm / PCB-mount terminals
Contact material:	AgNi
Max. storage temperature:	-40°C ... 80°C
Max. operating temperature:	-25°C ... 70°C
Mechanical life:	1 m switching cycles
Electrical life (rated load):	1m operations at rated load AC
Contact resistance NO:	< 50 mOhm (new state)
Contact resistance NC:	< 100 mOhm (new state)
Min. current:	1 mA (under laboratory conditions)
Min. voltage:	5 V
Bouncing time NO:	< 10ms
Bouncing time NC:	< 10ms
Positive opening contact:	acc. to EN60947-5-1, appendix. K

## Electrical data acc. to IEC/EN 60947-5-1 (VDE 0660 Sect. 200)

	alternate current	direct current
Utilisation category:	AC15 B300	DC
Rated insulation voltage $U_i$ :	250 V	250V
Rated operating voltage $U_e$ :	240V / 120V	240V / 120V
Rated operating current $I_e$ :	1.5A / 3A	0.27A / 0.55A
Breaking capacity:	10I <sub>e</sub>	1,1I <sub>e</sub>
Continuous thermal current:	5A	

## Electrical Features

Operational current AC/DC:	100 mA
Operational voltage AC/DC:	42V
Rated insulation voltage:	50V AC/DC
Electrical life (24DC / 10mA):	1m

## Environmental Tests

Shock resistance, IEC 600-68-2-27:	50g at 11 ms amplitude, semi-sinusoidal
Vibration resistance, IEC 600-68-2-6:	5g at 10...500Hz
Constant climatic resistance:	IEC 600-68-2-3 and 2-30
Resistance to alternating atmosphere:	IEC 600-68-2-14 and 2-33
Salt spray:	IEC 600-68-2-11
Resistance to soldering heat:	IEC 600-68-2-20
Soldering method:	wave and manual soldering

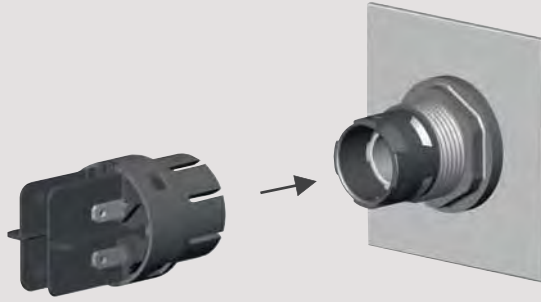
## Note

DC13 Life-time: 100,000 at max. load, 10 operations/min

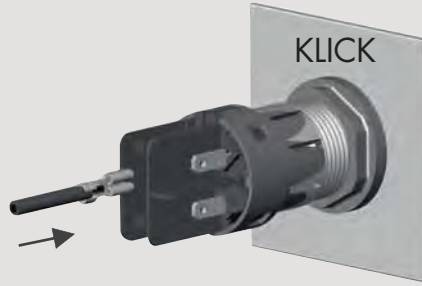
Soldering connection: CuZn37H95, tinned all-round

## Mounting Instructions

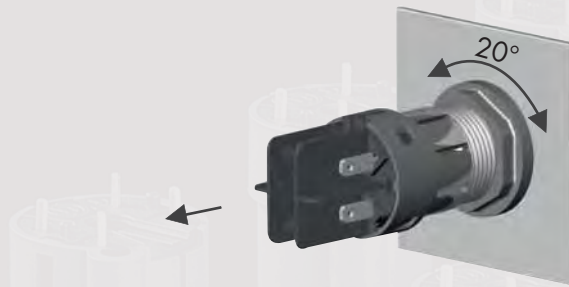
1.



2.



3.



Illustration

Description

Type

**3 mm**

22/21  
12/11

0 1 2 3

22 21  
12 11

**Contact Unit for emergency stops, momentary 2NC**  
PCB-mount terminals

suitable actuators

contact material AgNi **PTPOO**  
contact material AgNi, gold-plated **PTPOO\_AU**

**3 mm**

22/21  
14/13

0 1 2 3

22 21  
14 13

**Contact Unit for emergency stops, momentary 1NC + 1NO**  
PCB-mount terminals

suitable actuators

contact material AgNi **PTPOI**  
contact material AgNi, gold-plated **PTPOI\_AU**

**3 mm**

22/21  
12/11

0 1 2 3

22 21  
12 11

**Contact Unit for Emergency Stops, momentary 2NC**  
PCB-mount terminals  
2 positive opening NC contacts (no snap-action)

suitable actuators

contact material AgNi **PTFPOO**  
contact material AgNi, gold-plated **PTFPOO\_AU**

About Us

Control Units

Panel Mount Jacks

Bus Technology

Enclosures

Terminal Blocks

Pedal Switches

Limit Switches

Type Index

→ Contact Blocks

# Contact Blocks

PCB-mount terminals

made in germany



- About Us
- Control Units
- Panel Mount Jacks
- Bus Technology
- Enclosures
- Terminal Blocks
- Pedal Switches
- Limit Switches
- Type Index

Illustration	Description	Type
	<p><b>Contact Unit for Emergency Stops, momentary 1NC + 1NO</b>                      PCB-mount terminals                      1 positive opening NC + 1 NO (no snap-action)</p> <p>suitable actuators  </p> <p>contact material AgNi                      contact material AgNi, gold-plated</p>	<p><b>PTFPOI</b>  <b>PTFPOI_AU</b></p>
	<p><b>Contact Unit for Emergency Stops, momentary 2NC</b>                      Faston terminals 2.8x0.8 mm</p> <p>suitable actuators  </p> <p>contact material AgNi                      contact material AgNi, gold-plated</p>	<p><b>PTFOO</b>  <b>PTFOO_AU</b></p>
	<p><b>Contact Unit for Emergency Stops, momentary 1NC + 1NO</b>                      Faston terminals 2.8x0.8 mm</p> <p>suitable actuators  </p> <p>contact material AgNi                      contact material AgNi, gold-plated</p>	<p><b>PTFOI</b>  <b>PTFOI_AU</b></p>
	<p><b>Insulating Case IH2,8</b>                      for Faston clamp FH2,8, slip on from the front</p>	<p><b>IH2,8</b></p>
	<p><b>Faston Clamp 2.8 x 0.8 mm with snap-in pin FH2,8</b>                      Cross section 0.75 - 1.50 mm<sup>2</sup>, tin-plated brass, with pin to snapfit into the sockets XA, XAL and the insulating case IH2.8</p>	<p><b>FH2,8</b></p>
	<p><b>Double Faston FD2,8</b>                      for the connection of 2 Faston clamps FH2.8</p>	<p><b>FD2,8</b></p>



About Us

Control Units  
→ Contact Blocks

Panel Mount Jacks

Bus Technology

Enclosures

Terminal Blocks

Pedal Switches

Limit Switches

Type Index