

General Data

Type Reference:	CT...
Description:	Electronic Contact Block with snap action
Approvals:	CCC, cCSAus, NV, CE
Protection class:	II (protective insulation)
Operation travel:	3 mm
Connection type:	Faston terminals 2.8x0.8 mm
Contact material:	gold-plated 1.5µm
Max. storage temperature:	-50°C ... 85°C
Max. operating temperature:	-30°C ... 70°C, without illumination -30°C ... 55°C, using incandescent lamps -30°C ... 65°C, using LEDs
Mechanical life:	1 m switching cycles
Electrical life (rated load):	1 m operations at rated load
Contact resistance NO:	< 50 mOhm (new state)
Contact resistance NC:	< 100 mOhm (new state)
Bouncing time NO:	< 10ms
Bouncing time NC:	< 10ms

Technical Data - Lamp

Lamp socket:	T5,5K
Max. lamp voltage:	60V
Max. lamp output:	1.2W
Definition:	X1...anode, X2...cathode

Electrical Features

Rated voltage:	20mV ... 48V AC/DC
Rated current:	0.01mA ... 100mA

Note

Faston terminals 2.8x0.8mm are not suitable for manual soldering.

Electrical data acc. to IEC/EN 60947-5-1 (VDE 0660 Sect. 200)

	alternate current	direct current
Utilisation category:	AC12	DC12
Rated insulation voltage U_i :	60V	60V
Rated operating voltage U_e :	48V	48V
Rated operating current I_e :	0.1A	0.1A
Continuous thermal current:	100mA	100mA

Remark

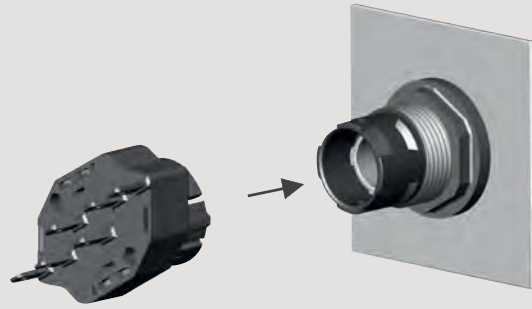
GB14048.5-2008 (IEC60947-5-1)

Elektrische Daten nach C22.2 No. 14-10

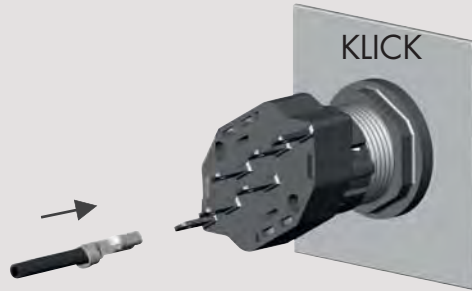
Rated voltage:	20mV ... 48V AC/DC
Rated current:	0.01mA ... 100mA

Mounting Instructions

1.



2.



3.

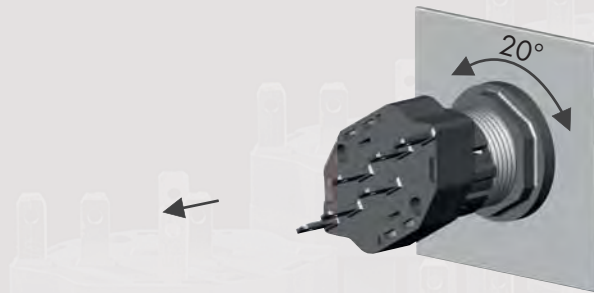


Illustration	Description	Type
	<p>Contact Unit, momentary 2 inverters Faston terminals 2.8x0.8 mm 2 independent single-circuit inverters suitable plug-in socket CAP6</p> <p>suitable actuators </p> <p>contact material gold-plated 1.5µm CT2</p>	
	<p>Illuminated Contact Unit, momentary 2 inverters Faston terminals 2.8x0.8 mm 2 independent single-circuit inverters suitable plug-in socket CAP8</p> <p>lamp socket T5,5K</p> <p>suitable actuators </p> <p>contact material gold-plated 1.5µm CTL2</p>	
	<p>Contact Unit with two-piece plunger, momentary 2 inverters Faston terminals 2.8x0.8 mm 2 independent single-circuit inverters suitable plug-in socket CAP6</p> <p>suitable actuators </p> <p>contact material gold-plated 1.5µm CT2_549</p>	
	<p>Illuminated Contact Block with separate plungers, momentary 2 inverters Faston terminals 2.8x0.8 mm 2 independent single-circuit inverters suitable plug-in socket CAP8</p> <p>lamp socket T5,5K</p> <p>suitable actuators </p> <p>contact material gold-plated 1.5µm CTL2_549</p>	

About Us

Control Units
↑ Contact Blocks

Panel Mount Jacks

Bus Technology

Enclosures

Terminal Blocks

Pedal Switches

Limit Switches

Type Index

Contact Blocks

Faston terminals 2.8x0.8 mm

made in germany



About Us

Control Units

← Contact Blocks

Panel Mount Jacks

Bus Technology

Enclosures

Terminal Blocks

Pedal Switches

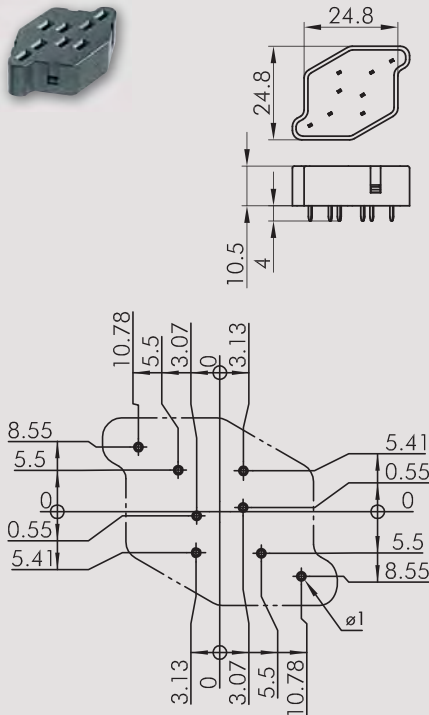
Limit Switches

Type Index

Illustration

Description

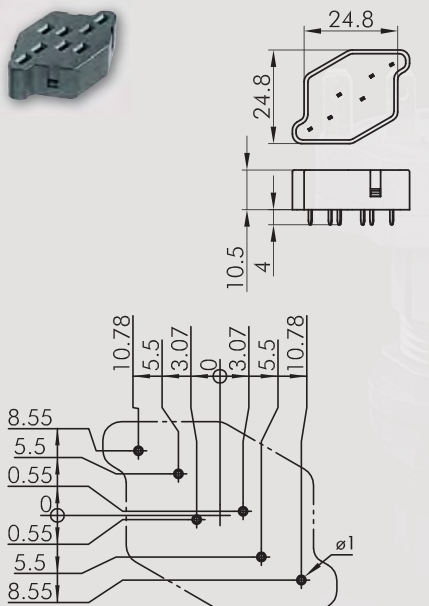
Type



Plug-in Socket

PCB-mount terminals with 8 contact pins to fit CTL2 contact unit

CAP8



Plug-in Socket

PCB-mount terminals with 6 contact pins to fit CT2 contact unit

CAP6



Insulating Case

for Faston clamp FH2,8, slip on from the front







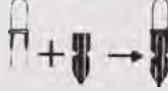
IH2,8



Faston Clamp 2.8 x 0.8 mm with snap-in pin

Cross section 0.75 - 1.50 mm², tin-plated brass, with pin to snapfit into the sockets XA, XAL and the insulating case IH2.8

FH2,8

Illustration	Description	Type
	Double Faston for the connection of 2 Faston clamps FH2.8	FD2,8
	Ultra-bright LED, T5,5K socket, 12V with integrated series resistor and half-wave rectifier, for 12 V AC/DC (7/14 mA) When connecting to DC, the correct polarity must be observed: + ... X1/- ... X2 storage temperature: -25°C ... +80°C ambient temperature: -20°C ... +60°C voltage tolerance: + 10 %	L5,5K12UW
	Ultra-bright LED, T5,5K socket, 24V with integrated series resistor and half-wave rectifier, for 24 V AC/DC (7/14 mA) When connecting to DC, the correct polarity must be observed: + ... X1/- ... X2 storage temperature: -25°C ... +80°C ambient temperature: -20°C ... +60°C voltage tolerance: + 10 %	L5,5K24UW
	Two-colour LED, T5,5K socket - 24V with integrated series resistor colour dependent on polarity Storage temperature: -25°C ... +80°C Ambient temperature: -20°C ... +60°C Voltage tolerance: + 10 %	L5,5K24RG
	Ultra-bright LED solder pins, grid 2.54 mm ready-made for CTP_485 3680 mcd white	LED3UW
	LED Adapter for LEDs of 3 and 5 mm Ø to be used in T5.5K sockets, an external resistor must be provided.	LA5,5
	lamp socket T5,5K	

About Us

Control Units
→ Contact Blocks

Panel Mount Jacks

Bus Technology

Enclosures

Terminal Blocks

Pedal Switches

Limit Switches

Type Index